

PASSIVE GALVANIC BARRIER
DUPLICATOR 4-20 mA – 2 x (4-20 mA)

STI – PGB3



USER'S MANUAL

www.stinnovators.com

TABLE OF CONTENTS

1. INTRODUCTION.....	3
2. CONNECTION DIAGRAM	3
3. TECHNICAL DATA	4

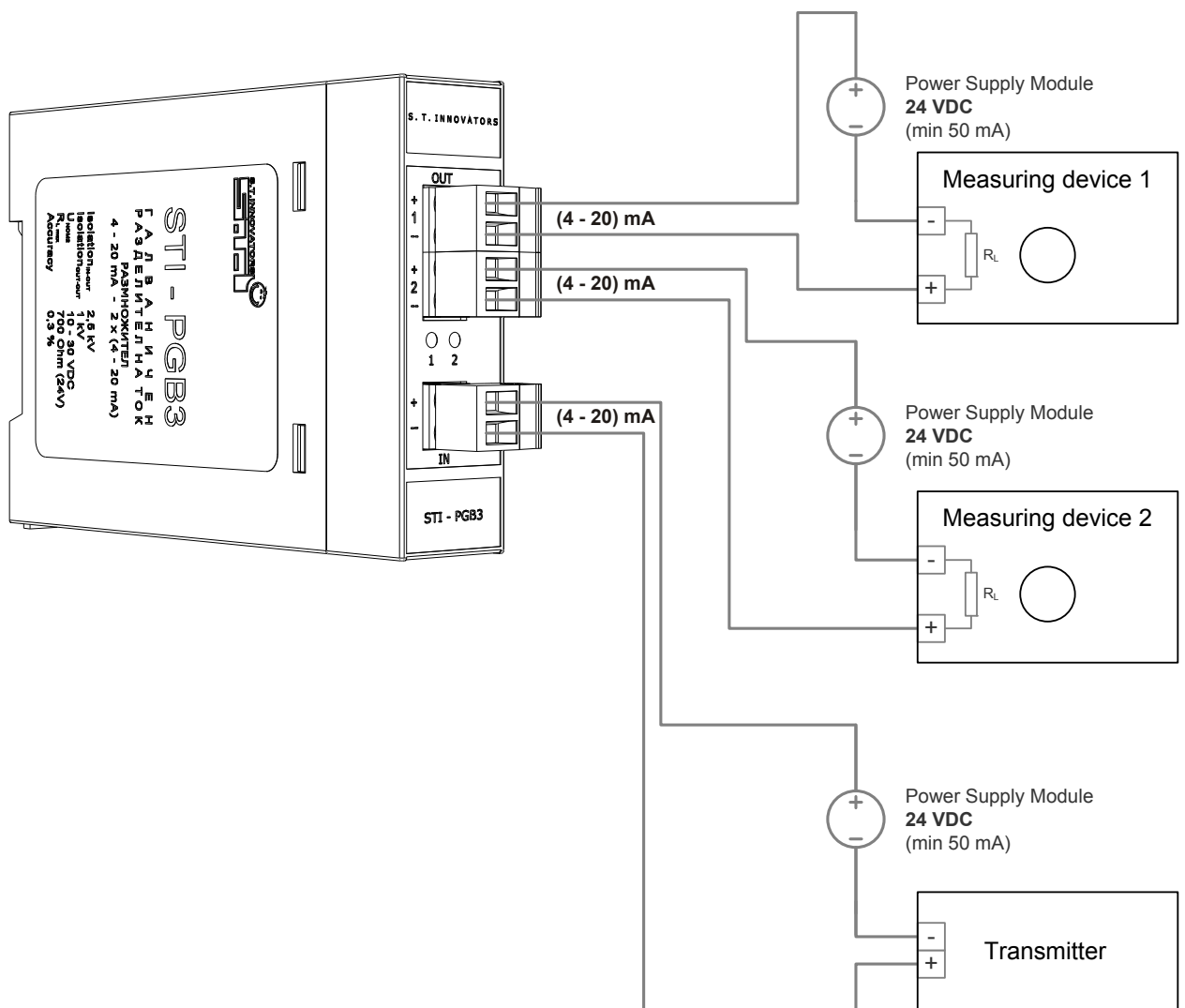
1. INTRODUCTION

STI – PGB3 is designed for galvanic separation and duplication of analog current signal $4 \div 20$ mA.

STI–PGB3 consist of the following main functional blocks and components:

- optocouplers for passive galvanic isolation;
- 2-wire terminals for input signal $4 \div 20$ mA connection;
- 4-wire terminals for output signal $2 \times 4 \div 20$ mA connection;
- LEDs (green), indicating normal operation mode.

2. CONNECTION DIAGRAM



3. TECHNICAL DATA

3.1. Number of channels:	2 (one input to two outputs)
3.2. Input range:	4 ÷ 20 mA
3.3. Output range:	2 x (4 ÷ 20 mA)
3.4. Maximum relative error:	0.1% ± 1LSB
3.5. Work temperature range:	-25 ÷ 45 °C
3.6. Max. input current:	45 mA
3.7. Isolation between input and outputs:	2,5 kV
3.8. Isolation between outputs:	1 kV
3.9. Line resistance:	700Ω при 24 VDC
3.10. Power supply:	10 ÷ 30 VDC
3.11. Dimensions (W x H x D):	22,5 x 75 x 105 mm
3.12. Montage:	DIN-rail 35/7,5 mm

Contacts:

1505, Sofia, BULGARIA
1, Tzarichina str.
Phone: +359 2 870 21 56, +359 888 45 99 53
Fax: +359 2 973 37 27
e-mail: office@stinnovators.com
www.stinnovators.com

